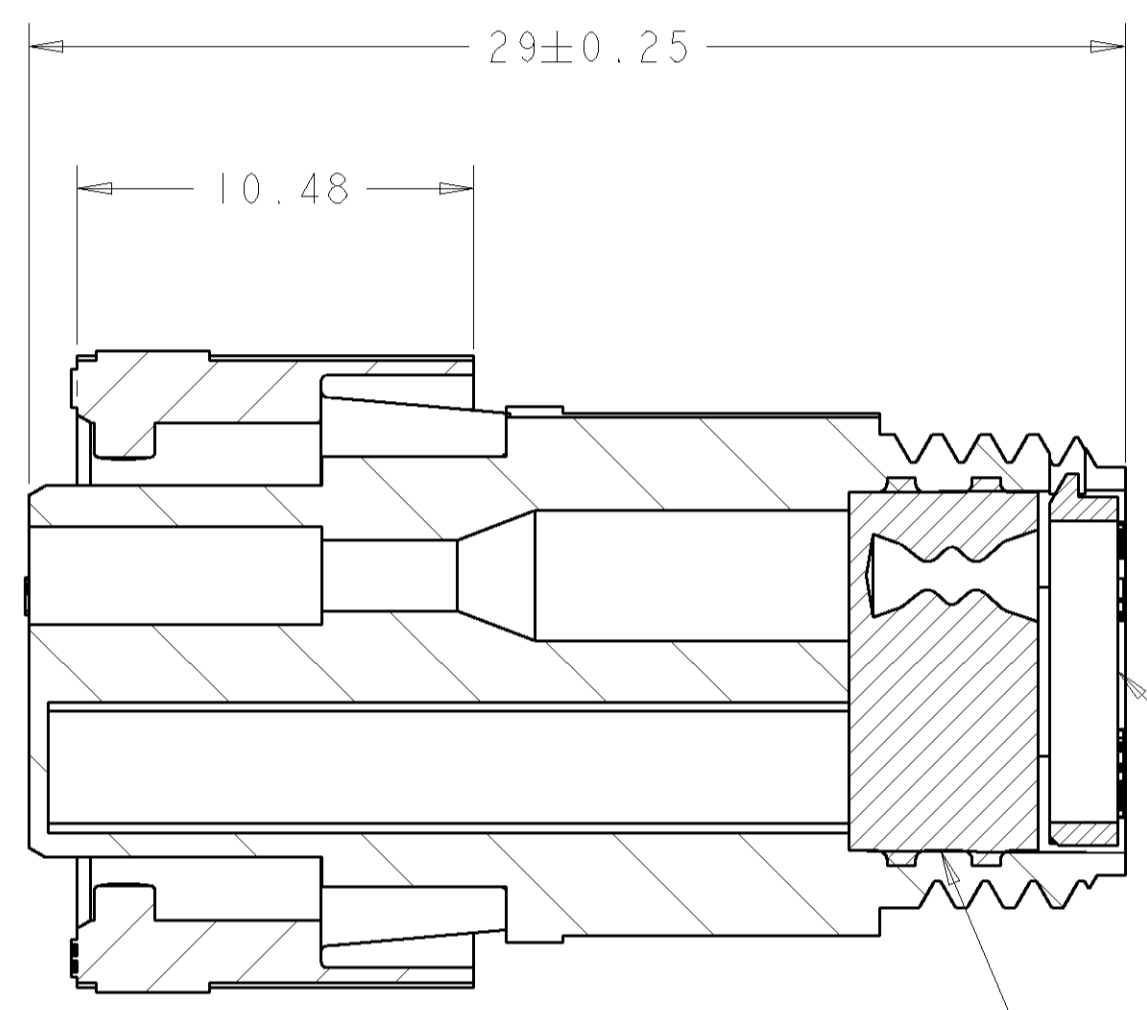
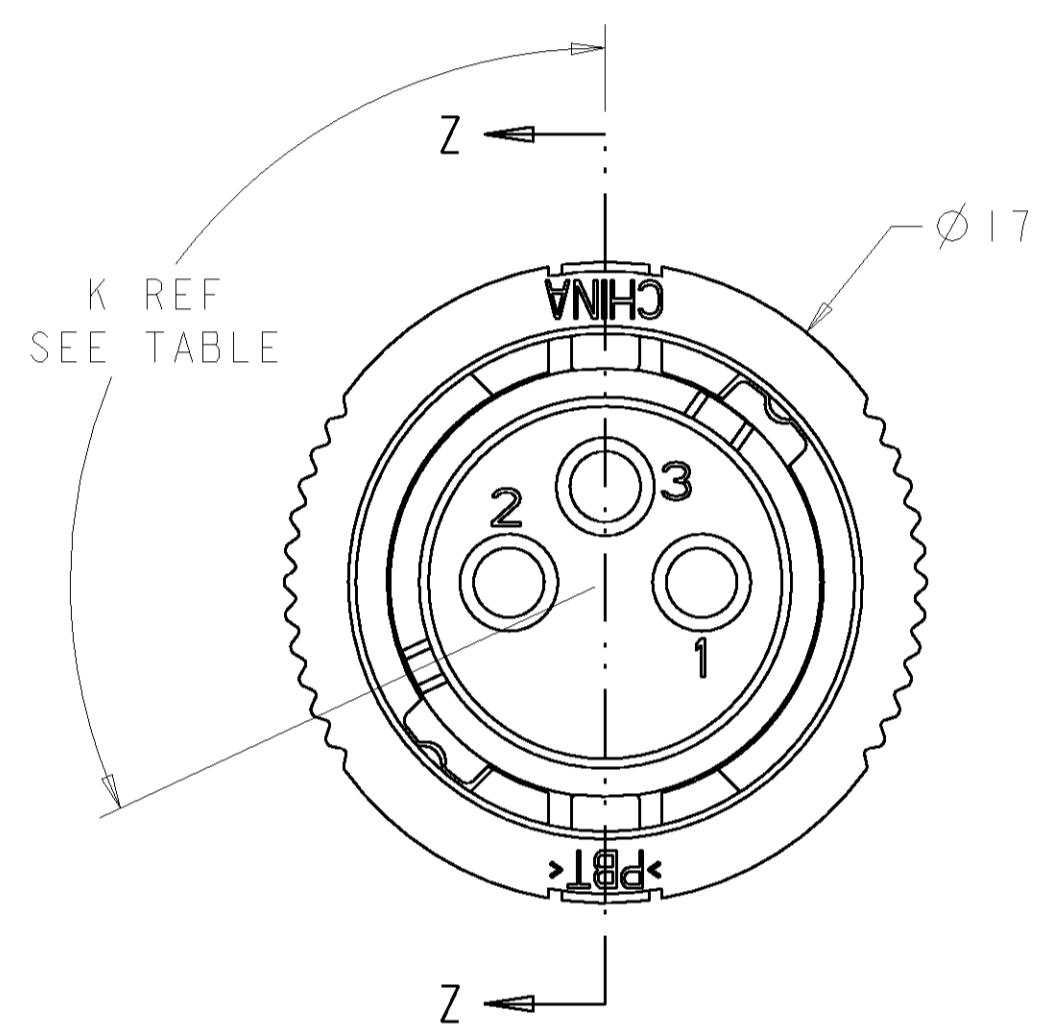


LOC		DIST		REVISIONS			
FT	0	P	LTR	DESCRIPTION	DATE	DWN	APVD
		A		RELEASED EC 0638-0326-03	12JUN2003	SW	HW
		B		REVISED EC 0638-0390-04	20MAY2004	SW	HW

ALIGNMENT DOT, COLOR-WHITE

POSITIVE LOCK INDICATOR

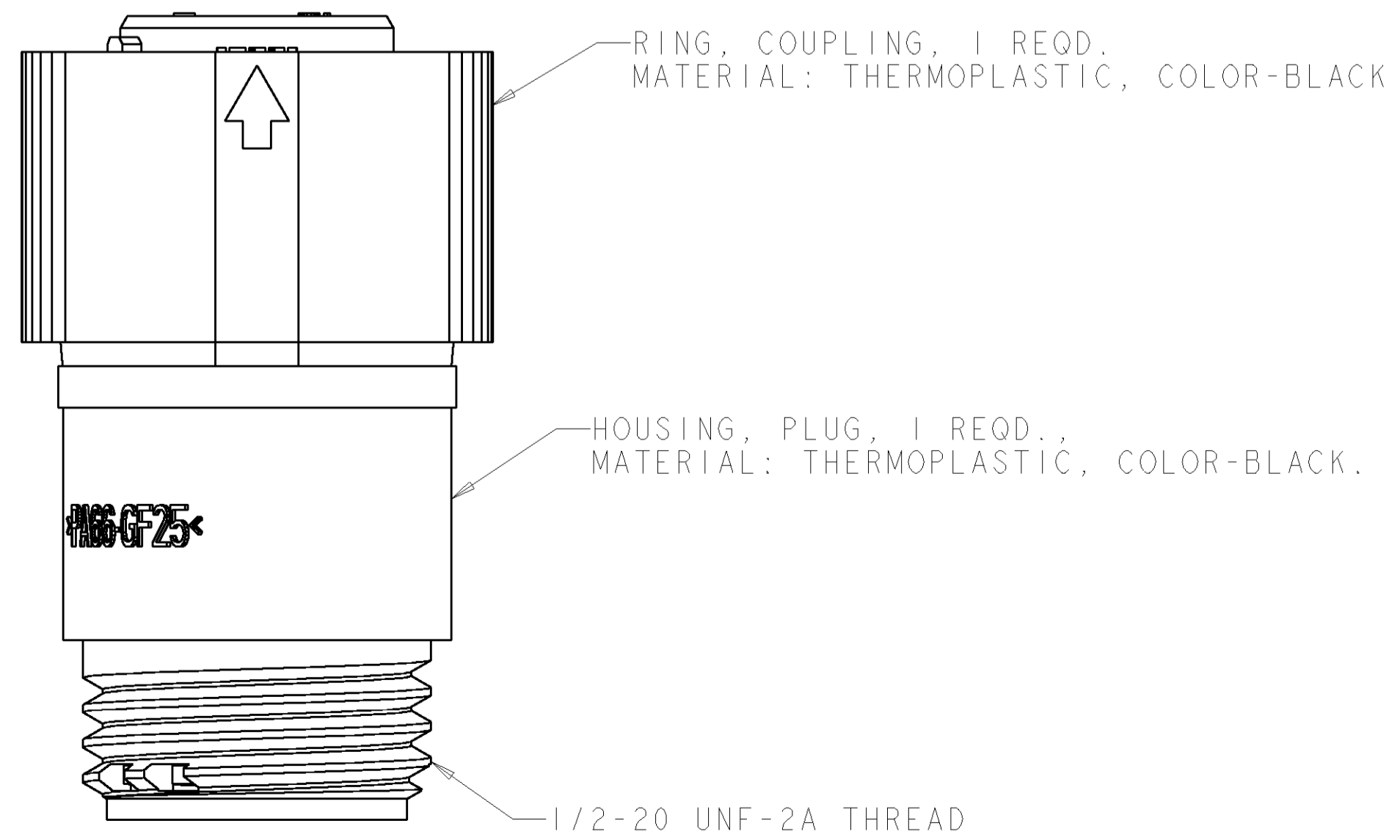
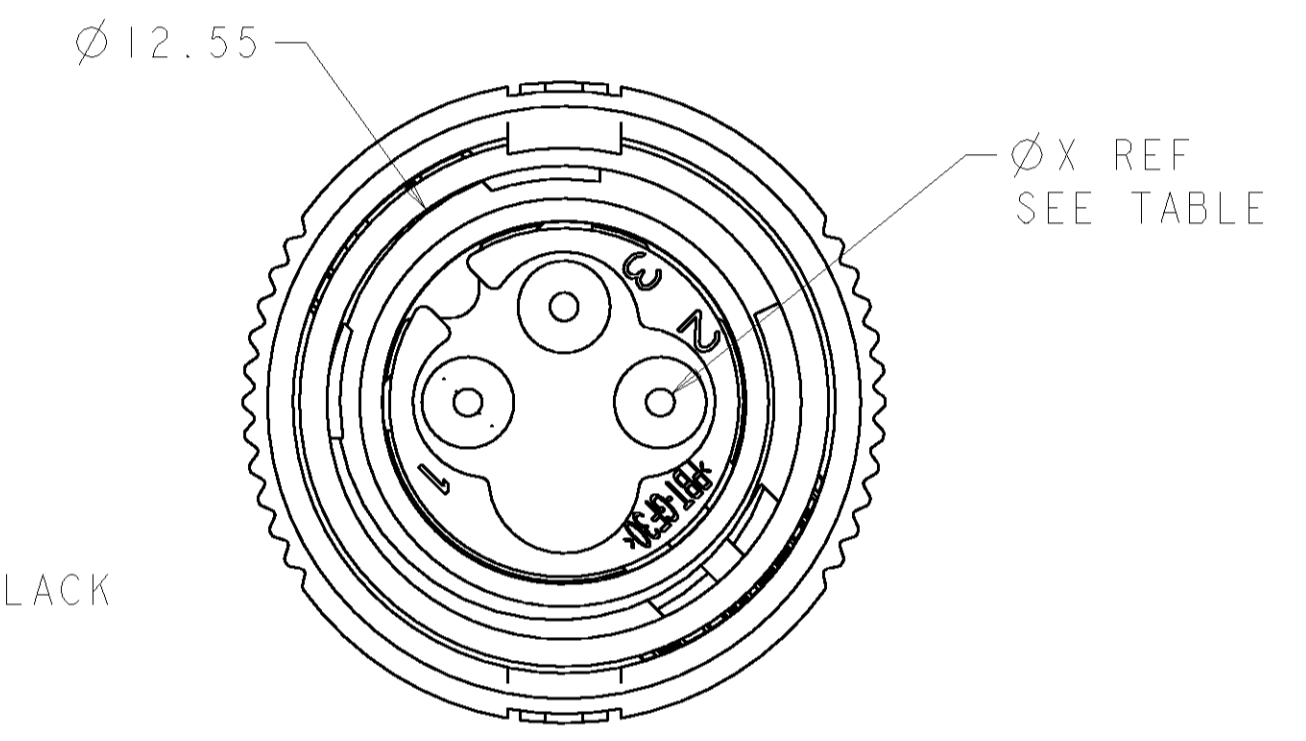
ALIGNMENT INDICATOR SLOTS



SECTION Z-Z

RETAINER, SEAL, 1 REQD.
 MATERIAL: THERMOPLASTIC, COLOR-BLACK

SEAL, WIRE ENTRY, 1 REQD.
 MATERIAL: ELASTOMER, COLOR-SEE TABLE



QUALIFICATION TEST PENDING

YELLOW	Ø0.75	130°	1445534-04
NATURAL	Ø1.5	115°	1445534-03
NATURAL	Ø1.5	130°	1445534-02
YELLOW	Ø0.75	115°	1445534-01
SEAL, WIRE ENTRY COLOR	ØX REF	K REF	PART NUMBER

DIMENSIONS:		TOLERANCES UNLESS OTHERWISE SPECIFIED:		DWN S. WIEST 07MAY2001		Tyco Electronics Harrisburg, PA 17105-3608	
mm	0 PLC ±0.5	1 PLC ±0.13	3 PLC ±0.013	4 PLC ±0.001	ENR G. DOUITY 07MAY2001	NAME ASSEMBLY, PLUG, SIZE 8, 3 POSITION, SEALED, MINI CPC	
MATERIAL SEE CALLOUT		FINISH -		APVD H. WAKEEM 12JUN2003		SIZE CAGE CODE DRAWING NO. RESTRICTED TO	
				PRODUCT SPEC -		A 00779 C=1445534	
				APPLICATION SPEC -		SCALE 5:1 SHEET 1 OF 1 REV B	
				WEIGHT -		CUSTOMER DRAWING	